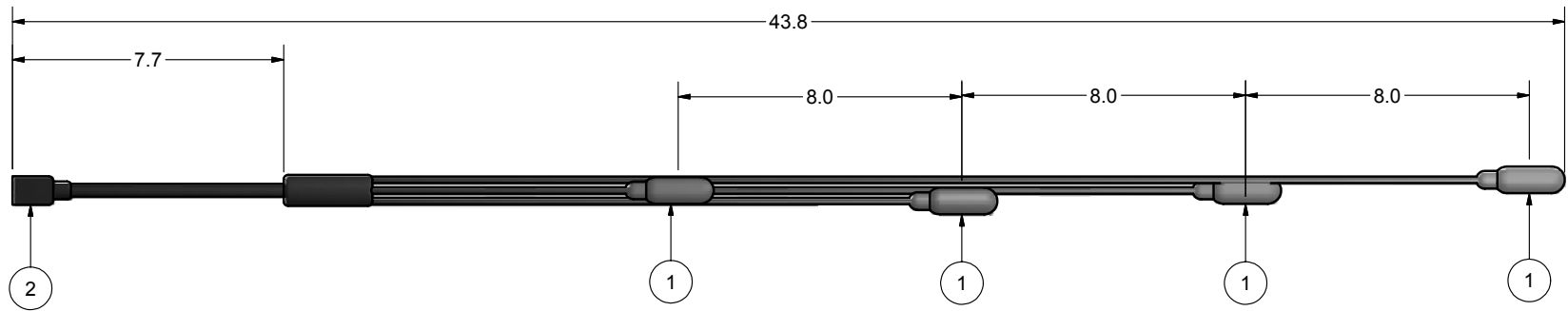



4 | 3 | 2 | 1

Parts List			
ITEM	QTY	PART NUMBER	DESCRIPTION
1	4	HTI-96-MIN (CM)	High Tech Inc. Hydrophone
2	1	LPMIL-8-MP	Array Connector



	Woods Hole Oceanographic Institution 86 Water Street, Dept 4 MS 18, Woods Hole, MA 02543		
	TITLE HTI-96-MIN (CM) 4 Element Array		
DESIGNED K. BALL PRINCIPLE ENGINEER L. FREITAG ENGINEER K. BALL	8/16/2007	SIZE B	CAGE NO 88846
ENGINEER K. BALL	8/16/2007	DRAWING NUMBER 214002-ASM	REV A
SCALE		SHEET 1 OF 1	

4 | 3 | 2 | 1