



MANAGEMENT SYSTEM MANUAL

ATL 03 BALLAST WATER MANAGEMENT PLAN

Originator:	Approved By:
Theophilus Moniz III	J. L. Coburn, Jr

Ballast System

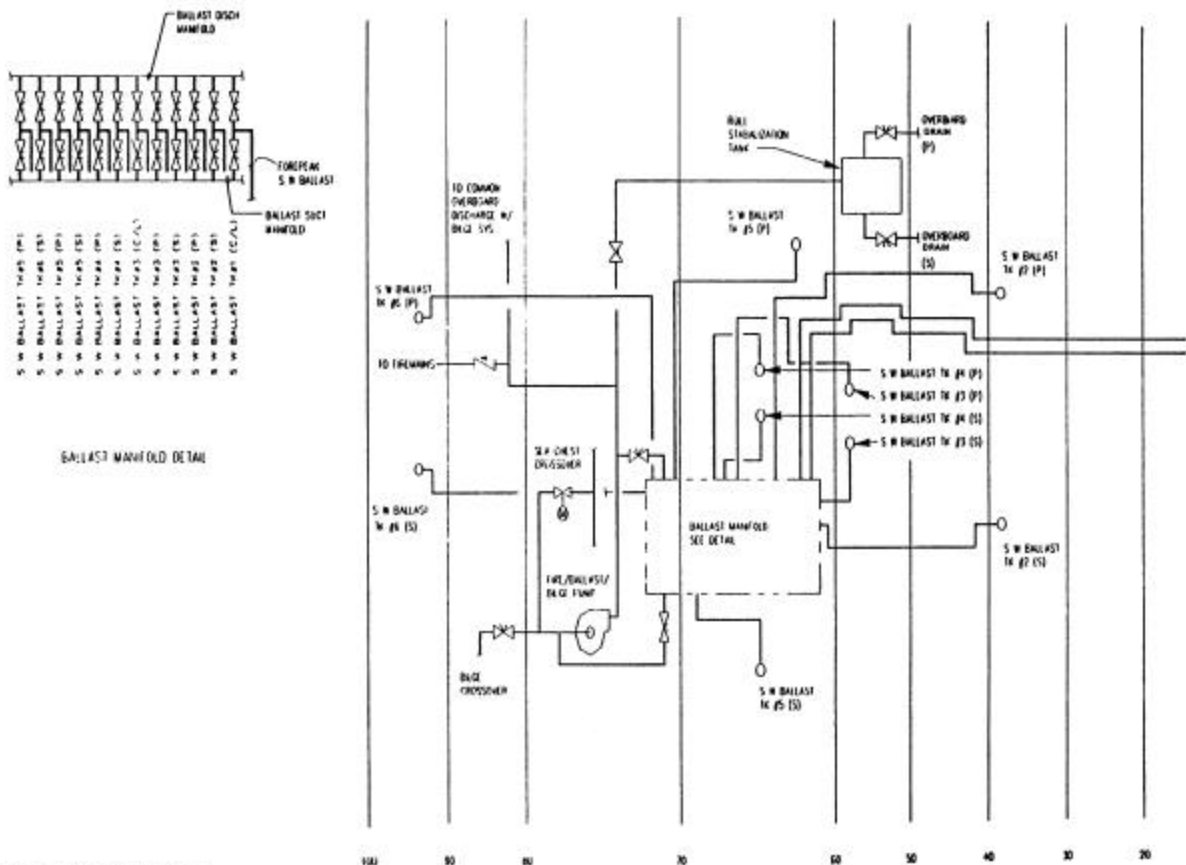


Figure 12-2. Ballast System
12-4

Appendix I



MANAGEMENT SYSTEM MANUAL

ATL 03 BALLAST WATER MANAGEMENT PLAN

Originator:
Theophilus Moniz III

Approved By:
J. L. Coburn, Jr

BALLAST SYSTEM OPERATING INSTRUCTIONS

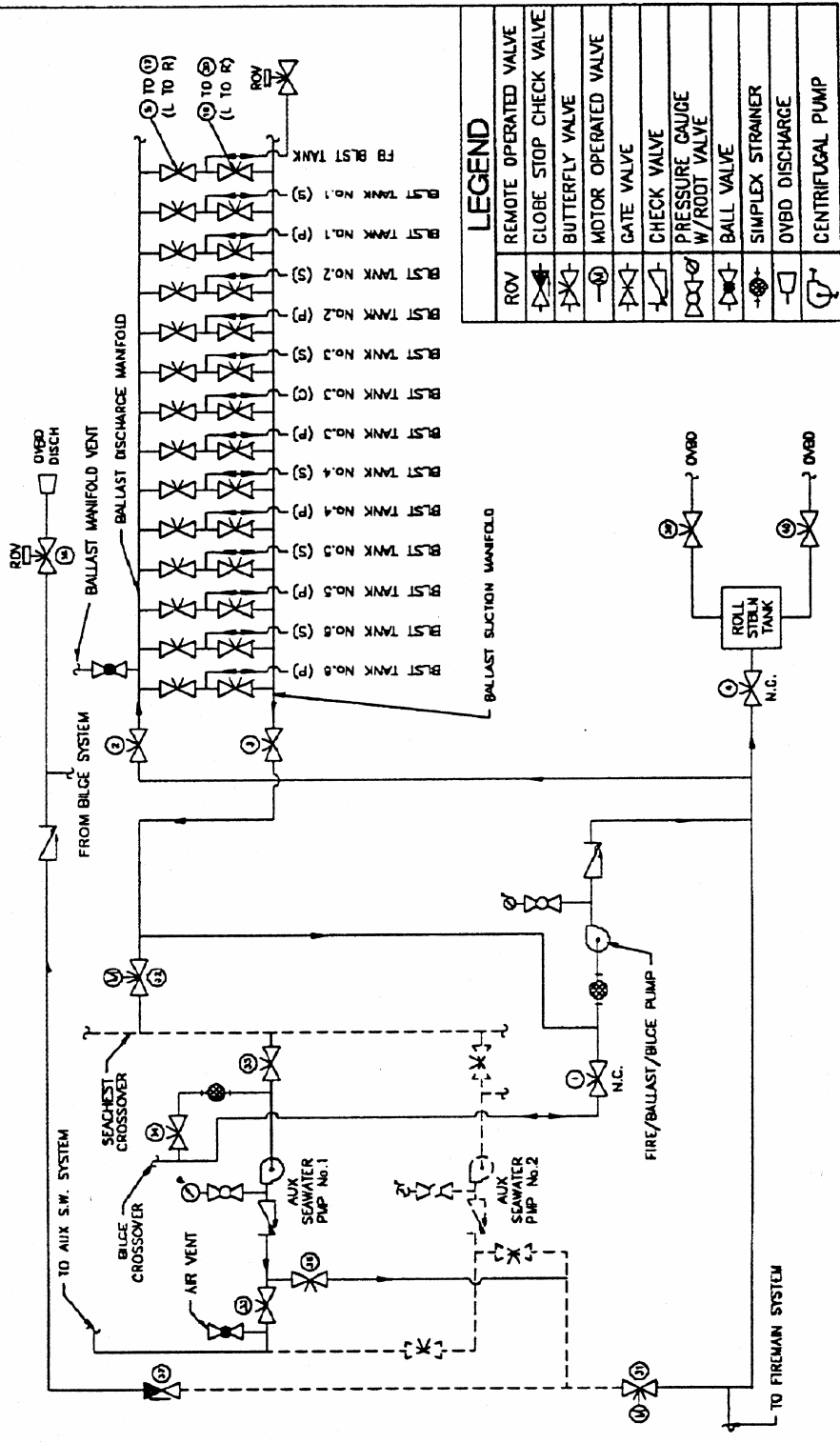


Figure 12-4. Ballast System Operating Instructions