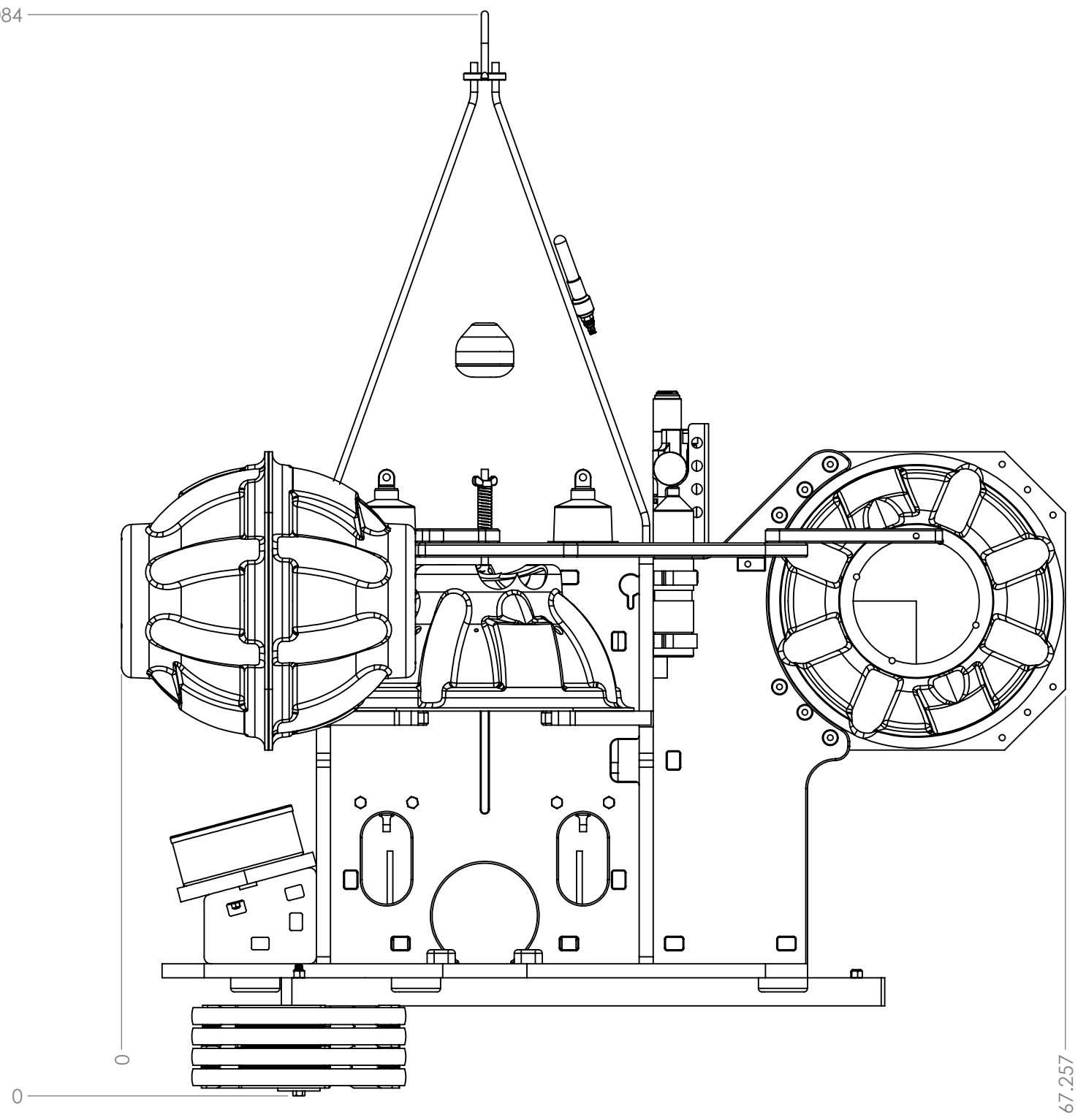
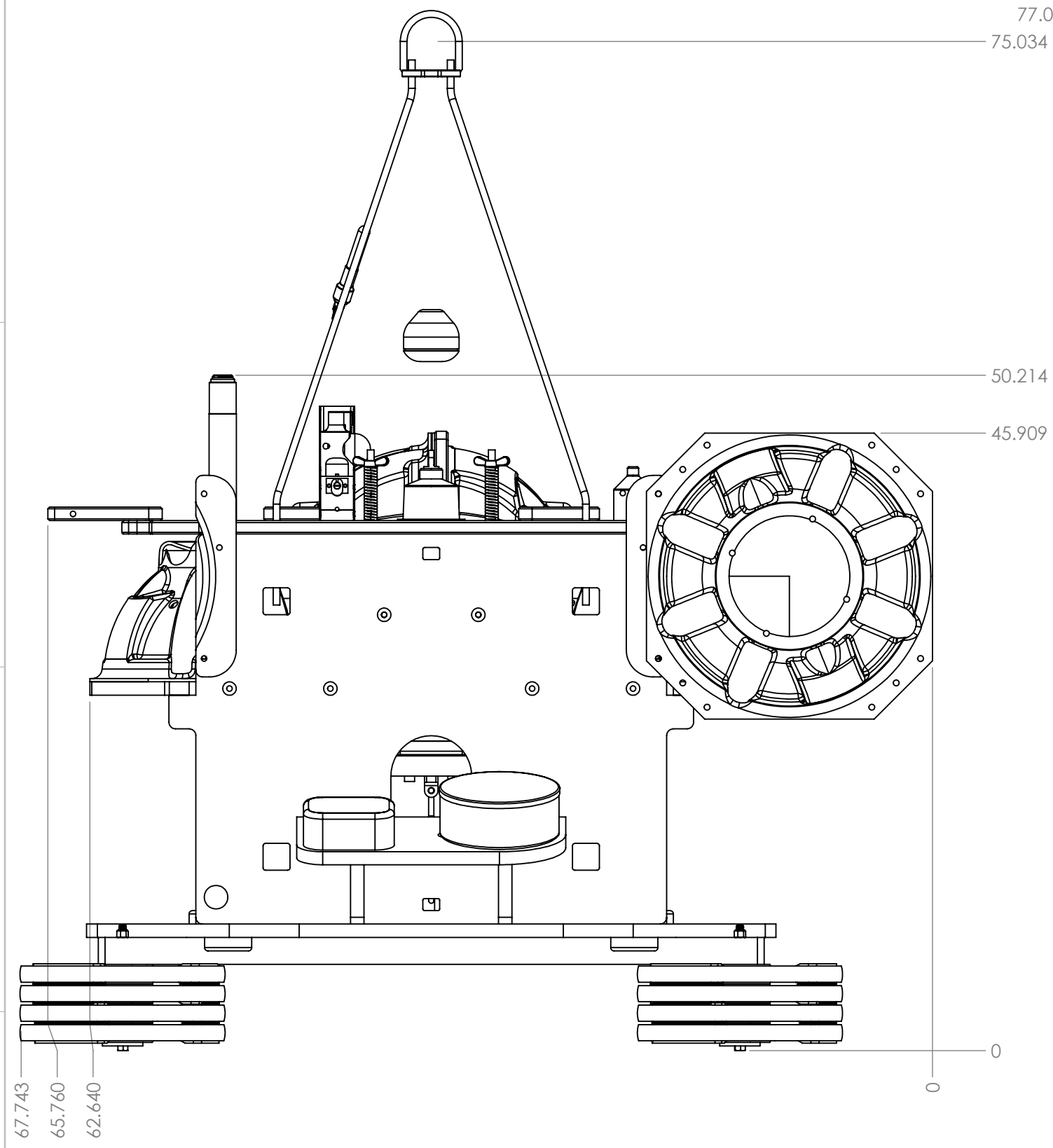


8 7 6 5 4 3 2 1

D  
C  
B  
A

D  
C  
B  
A



<p>FINISH</p> <p>UNLESS OTHERWISE SPECIFIED: DO NOT SCALE DRAWING DIMENSIONS ARE IN INCHES INTERPERT DIMENSIONS AND TOLERANCES PER ANSI Y14.5-1994.</p> <p>X: X.X: X.XX: X.XXX:</p> <p>ANGLES: SURFACE ROUGHNESS: microinch NON-DIMENSIONED or CAD GEOMETRY: BREAK ALL SHARP EDGES: ALL DIMENSIONS ARE PRE-FINISH</p>		<p>MATERIAL</p> <p>THIRD ANGLE PROJECTION</p> <p>PROPRIETARY</p> <p>NO PART OF THIS DOCUMENT MAY BE REPRODUCED, STORED IN A RETRIEVAL SYSTEM, OR TRANSMITTED IN ANY FORM, WITHOUT THE WRITTEN PERMISSION OF JASCO APPLIED SCIENCES</p> <p>DRAWN BY: Ron Burke DATE: Apr 09, 2015</p>		<p><b>JASCO</b> APPLIED SCIENCES</p> <p><b>CONCEPTS ADEON LANDER</b></p> <p>DRAWING NO: 24378 REVISION: 1.0</p>	
		<p>SCALE: DNS</p>		<p>SHEET 1 of 1</p>	