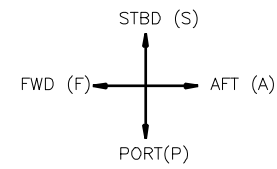
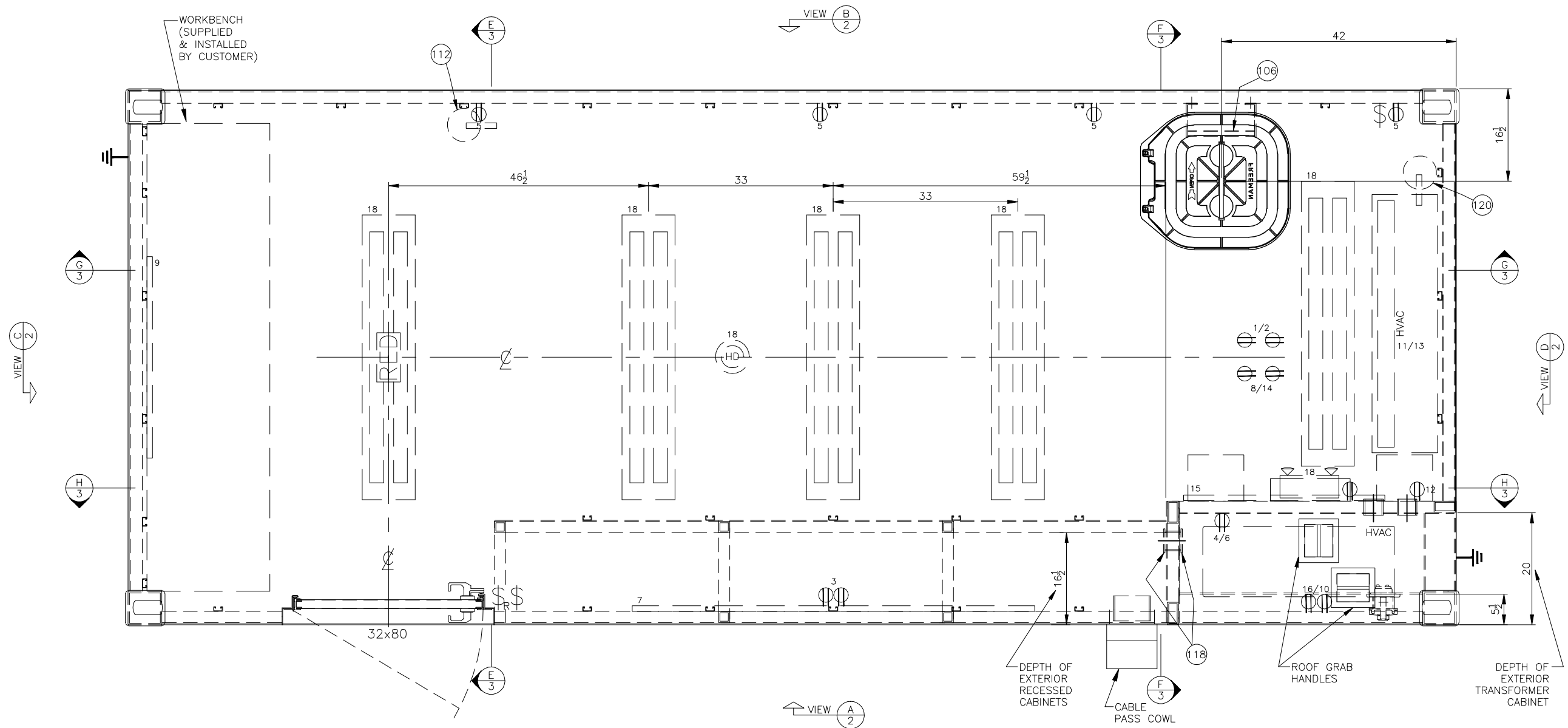


REV	DESCRIPTION	REV BY	REV DATE
A	ISSUED FOR APPROVAL	GP	13.JAN.16
B	UPDATED TO CUSTOMERS COMMENTS DATED 15.JAN.16	GP	19.JAN.16
C	UPDATED TO CUSTOMERS COMMENTS DATED 19.JAN.16	GP	20.JAN.16

ITEM	DESCRIPTION	QTY	UOM
------	-------------	-----	-----



WORKBENCH
(SUPPLIED
& INSTALLED
BY CUSTOMER)



UNLESS OTHERWISE NOTED:
DIMENSIONS ARE IN INCHES
LINEAR DIMENSIONS ARE $\pm 1/16$
ANGULAR DIMENSIONS ARE $\pm 1'$

THIS IS A PROPRIETARY DESIGN OF
SILHOUETTE STEEL LTD. MANUFACTURE,
REPRODUCTION OR USE OF ANY ASSEMBLY,
SUBASSEMBLY OR PART IS NOT PERMISSIBLE
EXCEPT IF EXPRESSLY PRIOR AUTHORIZED IN
WRITING BY SILHOUETTE STEEL LTD.

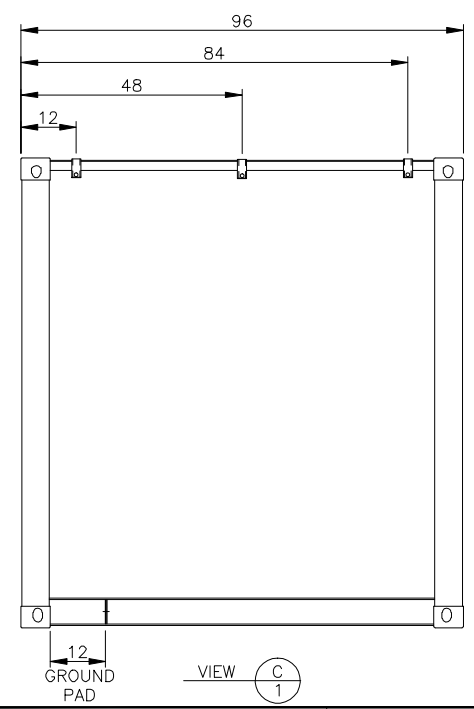
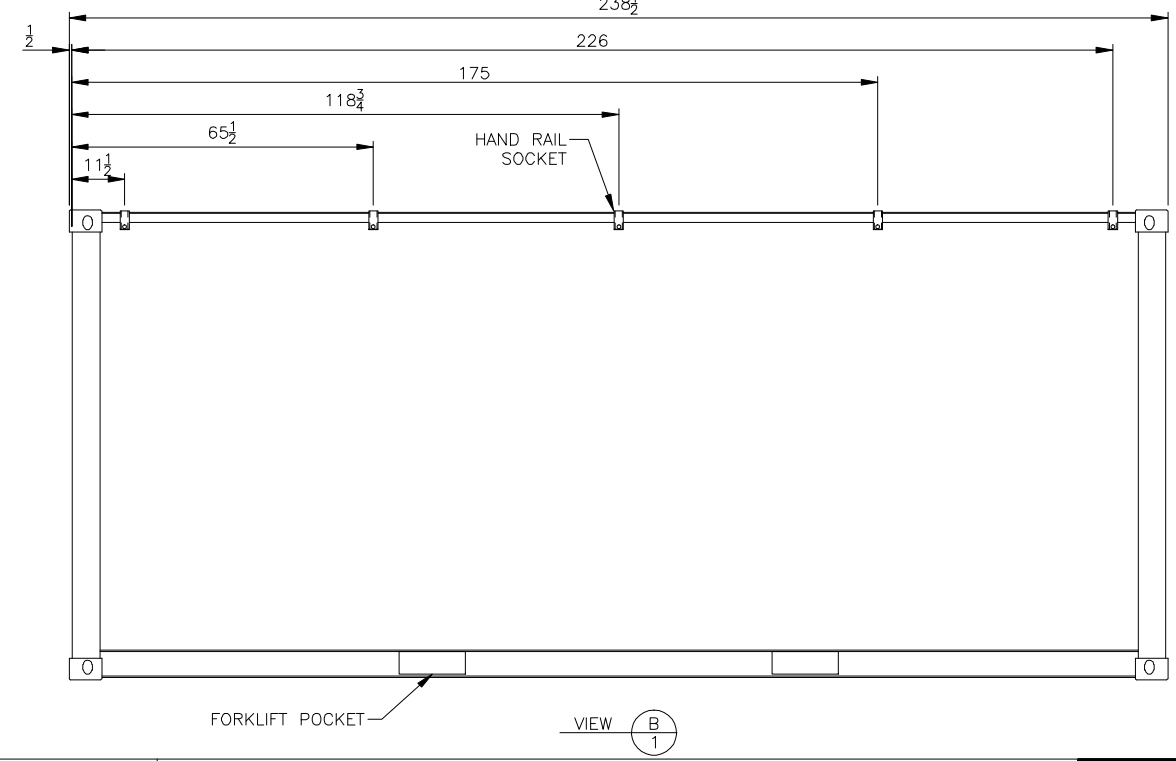
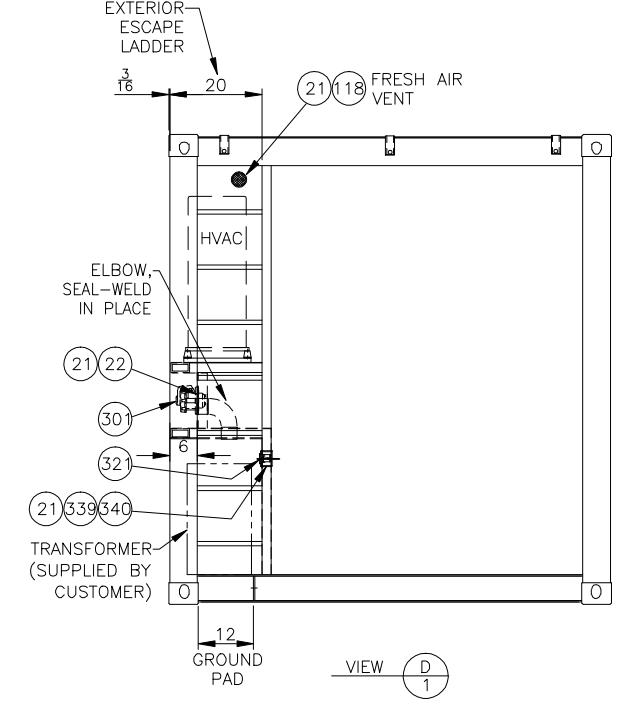
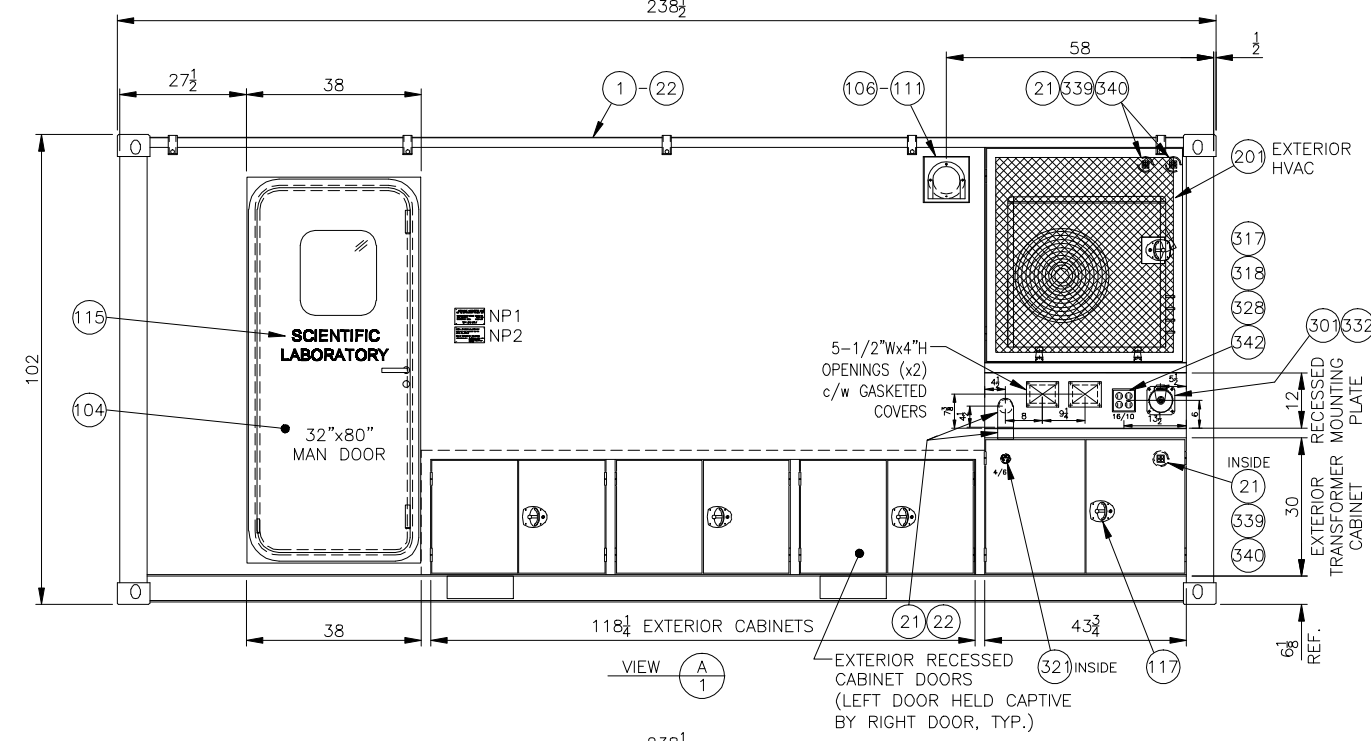
Silhouette Steel Ltd.

10136-201 Street
Langley B.C. V1M 0B1
Canada

www.silhouettesteel.com
tel: 604.513.5888
fax: 604.513.8773

PROJECT MANAGER FARHAD	DATE 07.JAN.16	PROJECT No 8116-01	SECTION 01	REV C	SHEET No 1 of 4
DRAWN BY GP	DRAWING SCALE 1:20	DWG TITLE GENERAL ARRANGEMENT PLAN VIEW		JOB NAME ROV WORKSHOP LAB	
PLOTT STAMP	DRAWING SIZE B	CLIENT UNIVERSITY OF CONNECTICUT			

REV	DESCRIPTION	REV BY	REV DATE	C	UPDATED TO CUSTOMERS COMMENTS DATED	GP	20.JAN.16	ITEM	DESCRIPTION	QTY	UOM
A	ISSUED FOR APPROVAL	GP	13.JAN.16	D	UPDATED TO CUSTOMERS COMMENTS DATED 19.JAN.16	GP	20.JAN.16				
B	UPDATED TO CUSTOMERS COMMENTS DATED 15.JAN.16	GP	19.JAN.16		UPDATED TO CUSTOMERS COMMENTS DATED 21.JAN.16	GP	26.JAN.16				



<ul style="list-style-type: none"> PORTABLE SCIENTIFIC VAN FOR USE ON RESEARCH VESSELS ONLY MAXIMUM GROSS WEIGHT; 25,000 LBS TARE WEIGHT; 9,000 LBS MAXIMUM PAY LOAD; 16,000 LBS TOP LOAD ONLY 	NP1
<ul style="list-style-type: none"> OWNER : UNIVERSITY OF CONNECTICUT VAN TYPE : ROV WORKSHOP LAB VAN SERIAL NO. : 8116-01 DATE OF CONSTRUCTION : 30 JAN 2016 CONSTRUCTED BY : SILHOUETTE STEEL, LTD. 10136-201 STREET LANGLEY, B.C., CANADA V1M 0B1 	NP2

UNLESS OTHERWISE NOTED:
DIMENSIONS ARE IN INCHES
LINEAR DIMENSIONS ARE ±1/16
ANGULAR DIMENSIONS ARE ±1'

THIS IS A PROPRIETARY DESIGN OF
SILHOUETTE STEEL LTD. MANUFACTURE,
REPRODUCTION OR USE OF ANY ASSEMBLY,
SUBASSEMBLY OR PART IS NOT PERMISSIBLE
EXCEPT IF EXPRESSLY PRIOR AUTHORIZED IN
WRITING BY SILHOUETTE STEEL LTD.

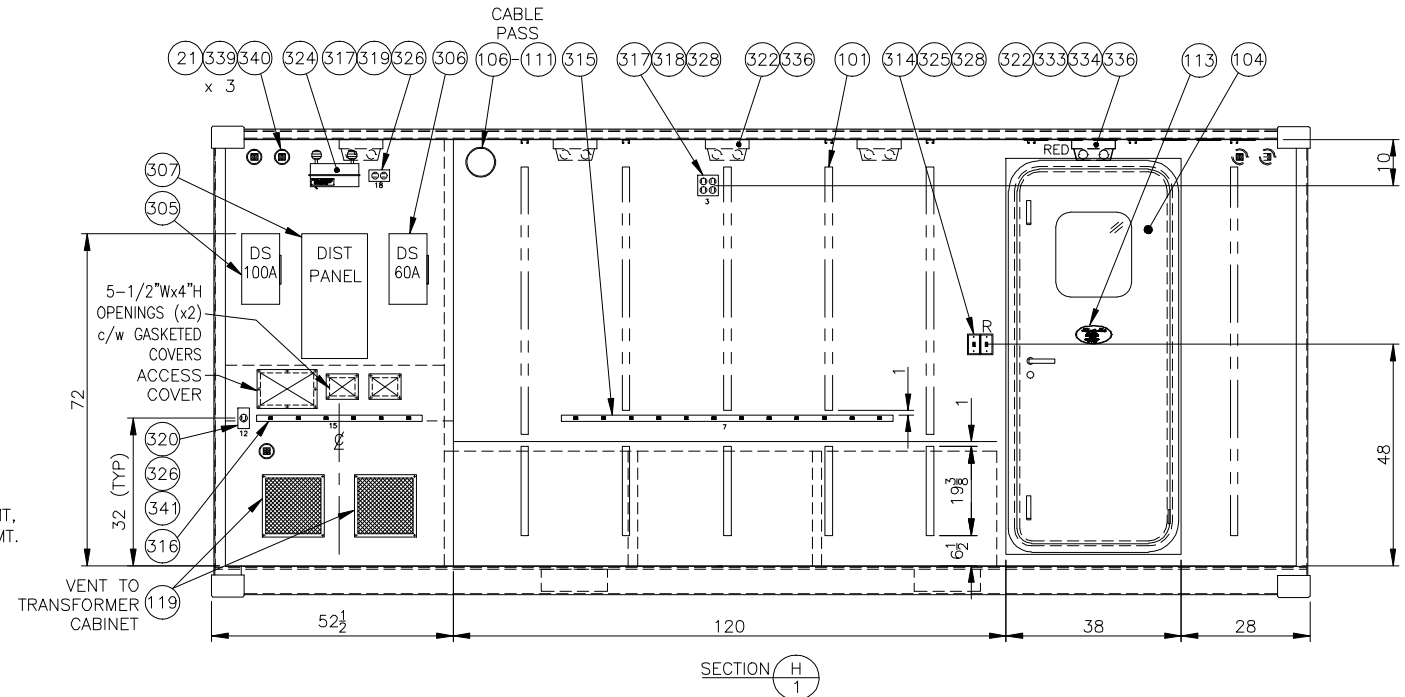
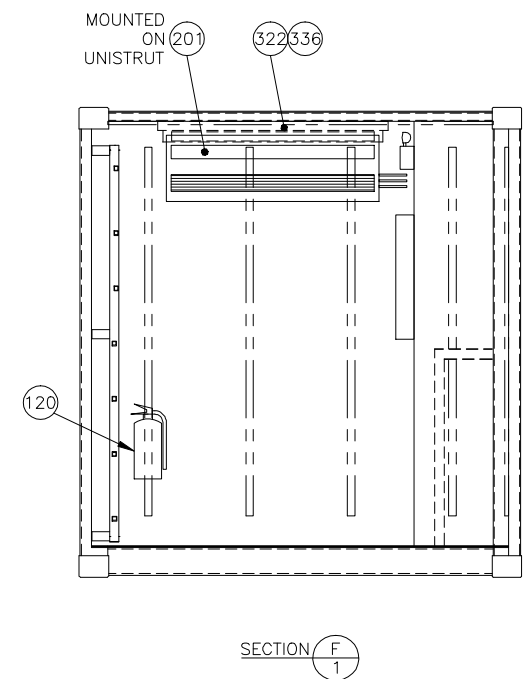
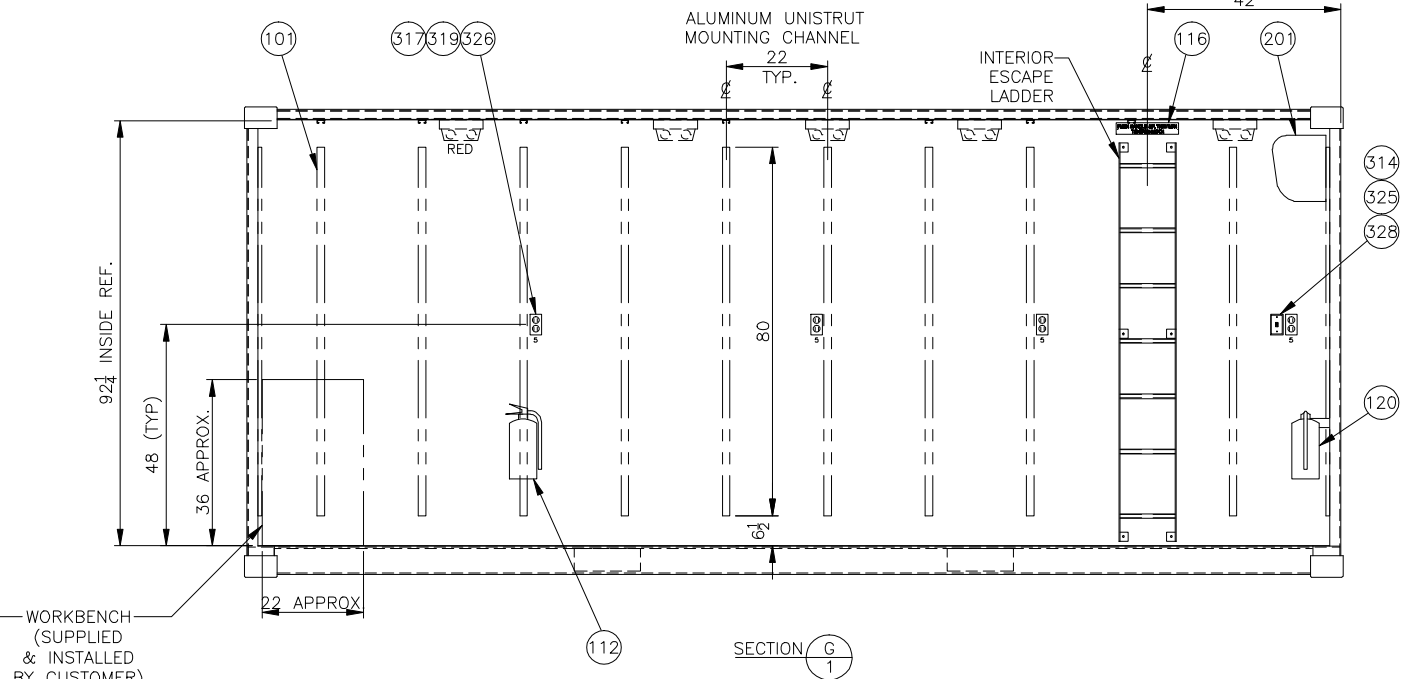
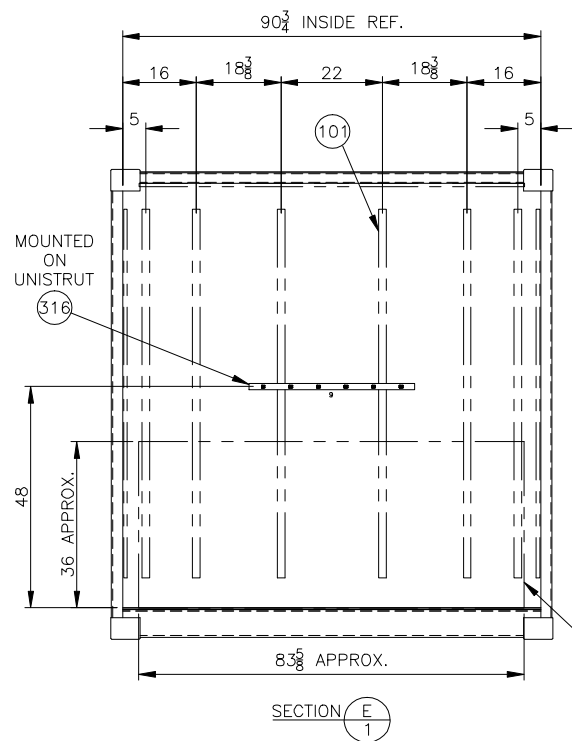
Silhouette Steel Ltd.

10136-201 Street
Langley B.C. V1M 0B1
Canada

www.silhouettesteel.com
tel: 604.513.5888
fax: 604.513.8773

PROJECT MANAGER FARHAD	PROJECT No 8116-01	SECTION 01	REV D	SHEET No 2 of 4
DRAWN BY GP	DATE 07.JAN.16	DWG TITLE G.A. ELEVATION VIEWS		
DRAWING SCALE 1:40	DRAWING SIZE B	JOB NAME ROV WORKSHOP LAB		
PLOTT STAMP		CLIENT UNIVERSITY OF CONNECTICUT		

REV	DESCRIPTION	REV BY	REV DATE	C	DESCRIPTION	GP	DATE	ITEM	DESCRIPTION	QTY	UOM
A	ISSUED FOR APPROVAL	GP	13.JAN.16	D	UPDATED TO CUSTOMERS COMMENTS DATED 21.JAN.16	GP	26.JAN.16				
B	UPDATED TO CUSTOMERS COMMENTS DATED 15.JAN.16	GP	19.JAN.16								



NOTES:

1. ALL ELECTRICAL WIRING TO BE SURFACE MOUNTED USING 3/4" EMT, EXCEPT VERTICAL RUNS TO RECEPTACLES, WHICH ARE TO BE 1/2" EMT.
2. CONDUIT IS TO BE RUN ON THE WALL SURFACE AND NOT ON THE UNISTRUT.
3. MINIMUM WIRE SIZE IS TO BE #12AWG
4. ALL CABLE/WIRE TO BE STRANDED, XLPE-90

UNLESS OTHERWISE NOTED:
DIMENSIONS ARE IN INCHES
LINEAR DIMENSIONS ARE ±1/16
ANGULAR DIMENSIONS ARE ±1'

THIS IS A PROPRIETARY DESIGN OF
SILHOUETTE STEEL LTD. MANUFACTURE,
REPRODUCTION OR USE OF ANY ASSEMBLY,
SUBASSEMBLY OR PART IS NOT PERMISSIBLE
EXCEPT IF EXPRESSLY PRIOR AUTHORIZED IN
WRITING BY SILHOUETTE STEEL LTD.

Silhouette Steel Ltd.

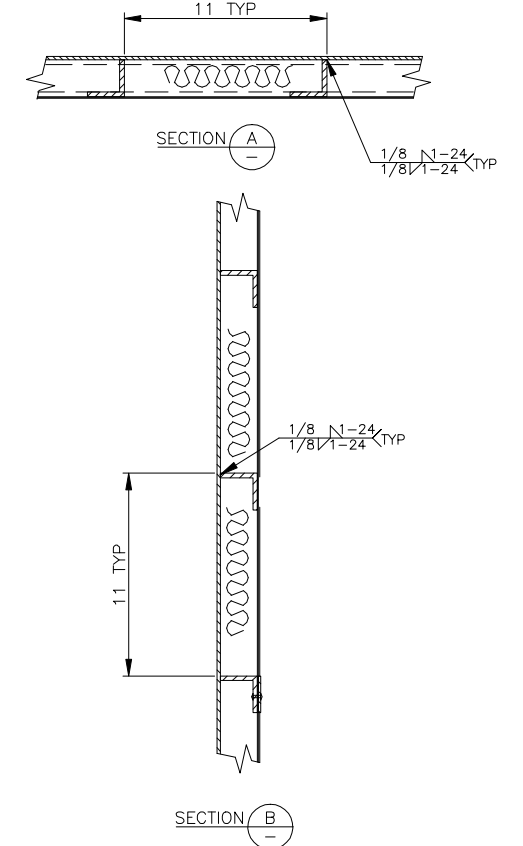
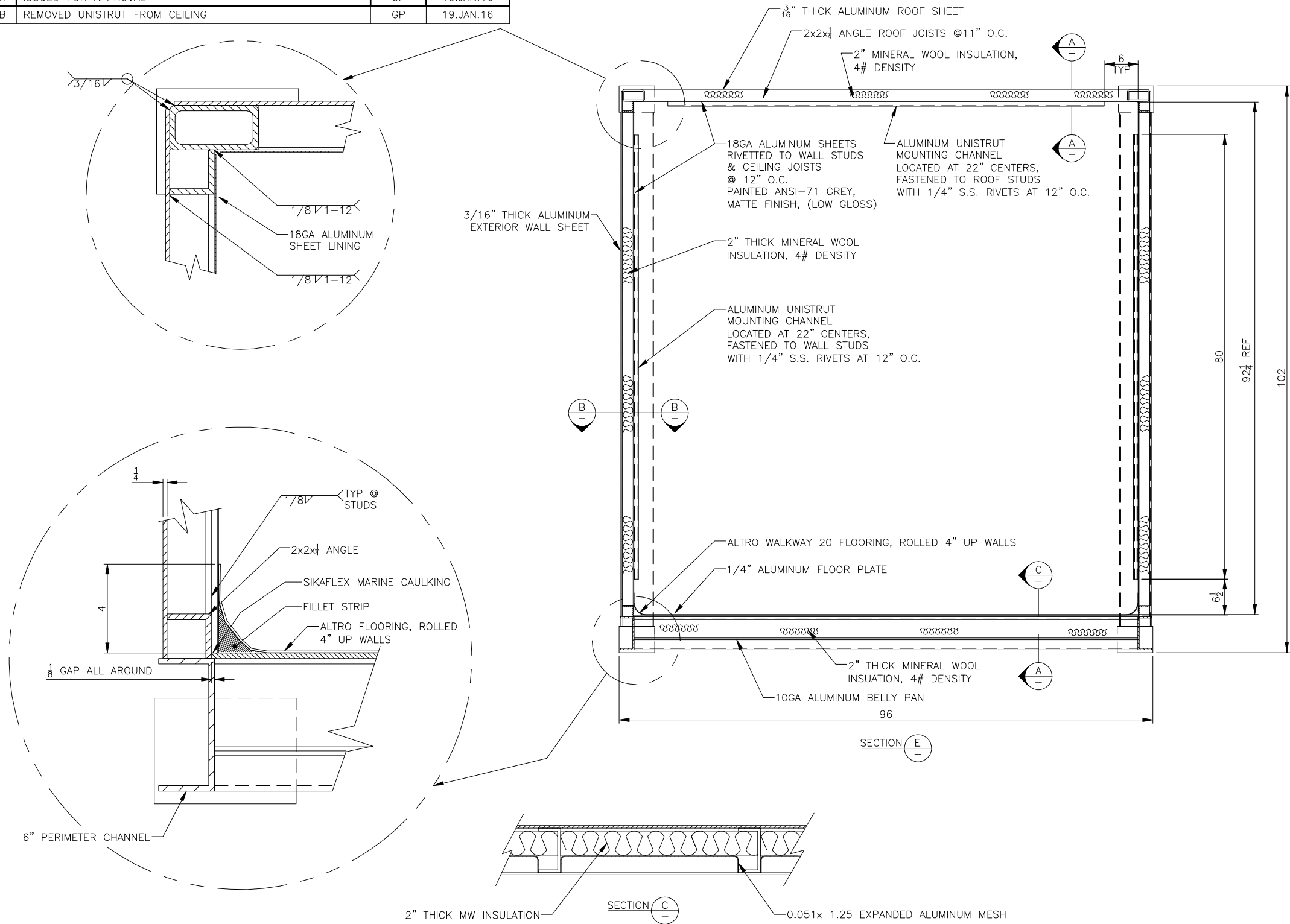
10136-201 Street
Langley B.C. V1M 0B1
Canada

www.silhouettesteel.com
tel: 604.513.5888
fax: 604.513.8773

PROJECT MANAGER FARHAD	DATE 07.JAN.16
DRAWN BY GP	DRAWING SCALE 1:40
PLOTT STAMP	DRAWING SIZE B

PROJECT No 8116-01	SECTION 01	REV D	SHEET No 3 of 4
DWC TITLE G.A. INTERIOR SECTION VIEWS			
JOB NAME ROV WORKSHOP LAB			
CLIENT UNIVERSITY OF CONNECTICUT			

REV	DESCRIPTION	REV BY	REV DATE	C	REPLACED UNISTRUT FROM CEILING, CHANGED INTERIOR PAINT COLOUR	GP	20.JAN.16	ITEM	DESCRIPTION	QTY	UOM
A	ISSUED FOR APPROVAL	GP	13.JAN.16								
B	REMOVED UNISTRUT FROM CEILING	GP	19.JAN.16								



- INNER WALLS AND BASE**
- A) ETCH PRIME WITH INTERPRIME 539
 - B) PRIME WITH INTERSEAL 670HS (5-6 MILS DFT)
- INTERIOR PAINT**
- A) ETCH PRIME WITH INTERPRIME 539
 - B) PRIME WITH INTERSEAL 670HS (5-6 MILS DFT)
 - C) TOPCOAT WITH INTERTHANE 870 (3-5 DFT)
 - D) COLOR: ANSI-71 GREY, MATTE FINISH, (LOW GLOSS)
- EXTERIOR PAINT**
- A) PRIME WITH INTERSEAL 670HS (5-6 MILS DFT) WITH INSULADD PAINT ADDITIVE
 - B) TOP COAT WITH INTERTHANE 870 (3-5 DFT)
 - C) COLOR: OFF WHITE, SEMI-GLOSS
- UNDERSIDE OF BASE**
- A) APPLY INTERSEAL 670HS EPOXY (6-10 DFT)
 - B) COLOR: FLAT BLACK
- INSIDE OF FORK LIFT POCKETS**
- A) APPLY INTERSEAL 670HS EPOXY (6-10 DFT)
 - B) COLOR: FLAT BLACK
- INSIDE OF CORNER CASTINGS, HAND RAIL SOCKETS**
- A) APPLY INTERSEAL 670HS EPOXY (6-10 DFT)
 - B) COLOR: FLAT BLACK

UNLESS OTHERWISE NOTED:
DIMENSIONS ARE IN INCHES
LINEAR DIMENSIONS ARE ±1/16
ANGULAR DIMENSIONS ARE ±1'

THIS IS A PROPRIETARY DESIGN OF
SILHOUETTE STEEL LTD. MANUFACTURE,
REPRODUCTION OR USE OF ANY ASSEMBLY,
SUBASSEMBLY OR PART IS NOT PERMISSIBLE
EXCEPT IF EXPRESSLY PRIOR AUTHORIZED IN
WRITING BY SILHOUETTE STEEL LTD.

Silhouette Steel Ltd.

10136-201 Street
Langley B.C. V1M 0B1
Canada

www.silhouettesteel.com
tel: 604.513.5888
fax: 604.513.8773

PROJECT MANAGER FARHAD	DATE 07.JAN.16	PROJECT No 8116-01	SECTION 01	REV C	SHEET No 4 of 4
DRAWN BY GP	DRAWING SCALE 1:20	DWG TITLE TYPICAL CROSS SECTION			
DRAWING SIZE PLOTT STAMP	DRAWING SIZE B	JOB NAME ROV WORKSHOP LAB			
		CLIENT UNIVERSITY OF CONNECTICUT			