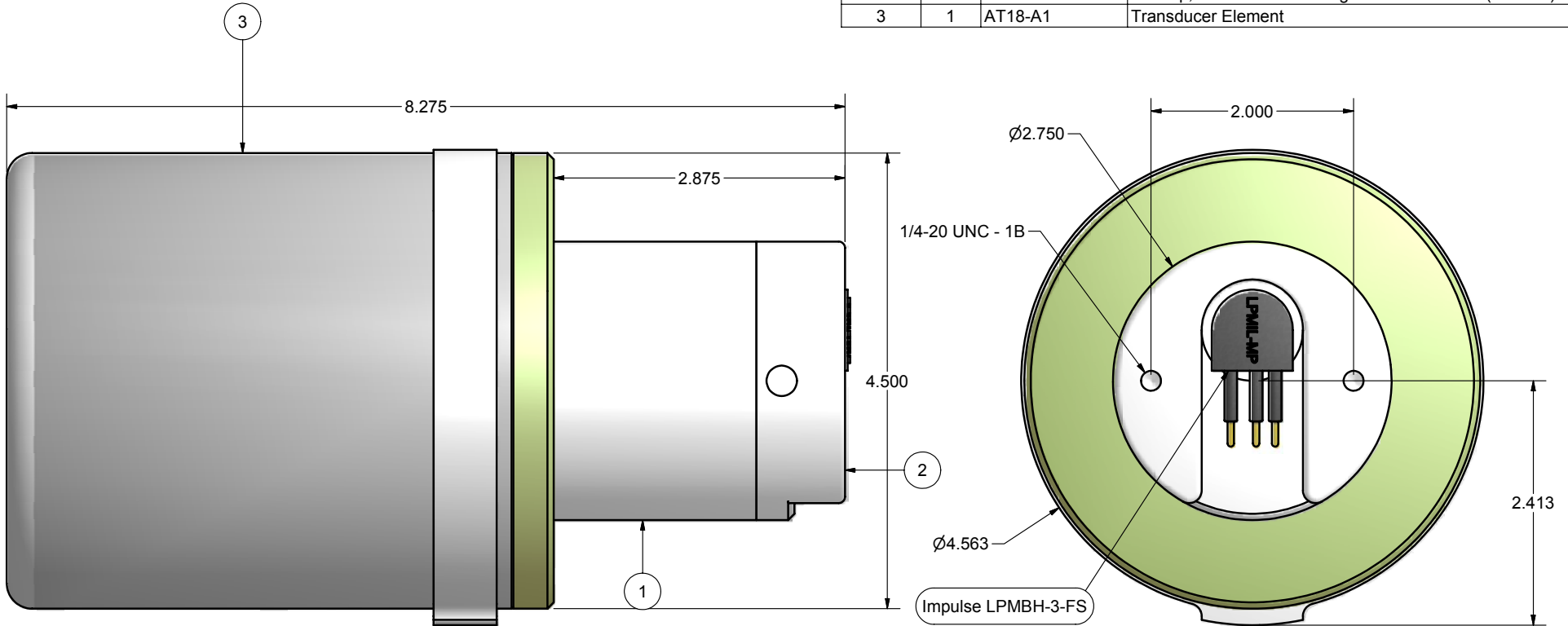



Parts List			
ITEM	QTY	PART NUMBER	DESCRIPTION
1	1	223044a	Transducer Backing Block for AT18-A1
2	1	223045a	Endcap, Transducer Backing Block for 223044 (LPMBH)
3	1	AT18-A1	Transducer Element



**Connector Pinout:**

- Pin 1 Signal -
- Pin 2 Shield
- Pin 3 Signal +

		<b>Woods Hole Oceanographic Institution</b> 86 Water Street, Dept 4 MS 18, Woods Hole, MA 02543		
		TITLE <b>AT18-A1 with Transducer Backing Block Assembly (LPMBH)</b>		
DESIGNED K. BALL	4/19/2007	SIZE <b>B</b>	CAGE NO <b>88846</b>	DRAWING NUMBER <b>213104-ASM</b>
PRINCIPLE ENGINEER L. FREITAG		SCALE		REV <b>A</b>
ENGINEER K. BALL	4/19/2007			SHEET 1 OF 1