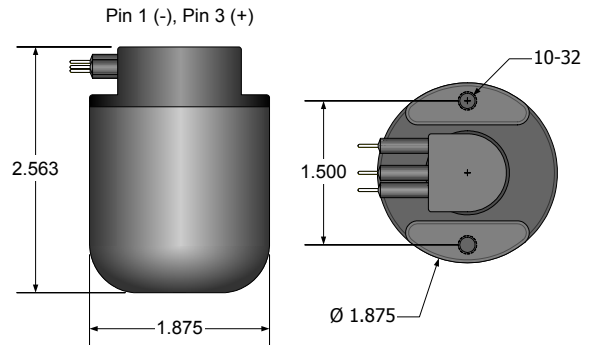


## Model BT-1RCL

BTech's Model BT-1RCL transducer is a proven standard for underwater acoustic communication (ACOMMS).

### Specifications (Nominal):

- Resonance Frequency ( $f_r$ ): 28 kHz
- Suggested Range: 20 – 40 kHz
- TVR at  $f_r$ : 135 dB re 1  $\mu\text{Pa}/\text{V}$
- OCVS at  $f_r$ : -191 dB re 1  $\text{V}/\mu\text{Pa}$
- Horizontal Beam Pattern: Omnidirectional
- Vertical Beam Pattern: Toroidal



### Performance Curves (Nominal):

