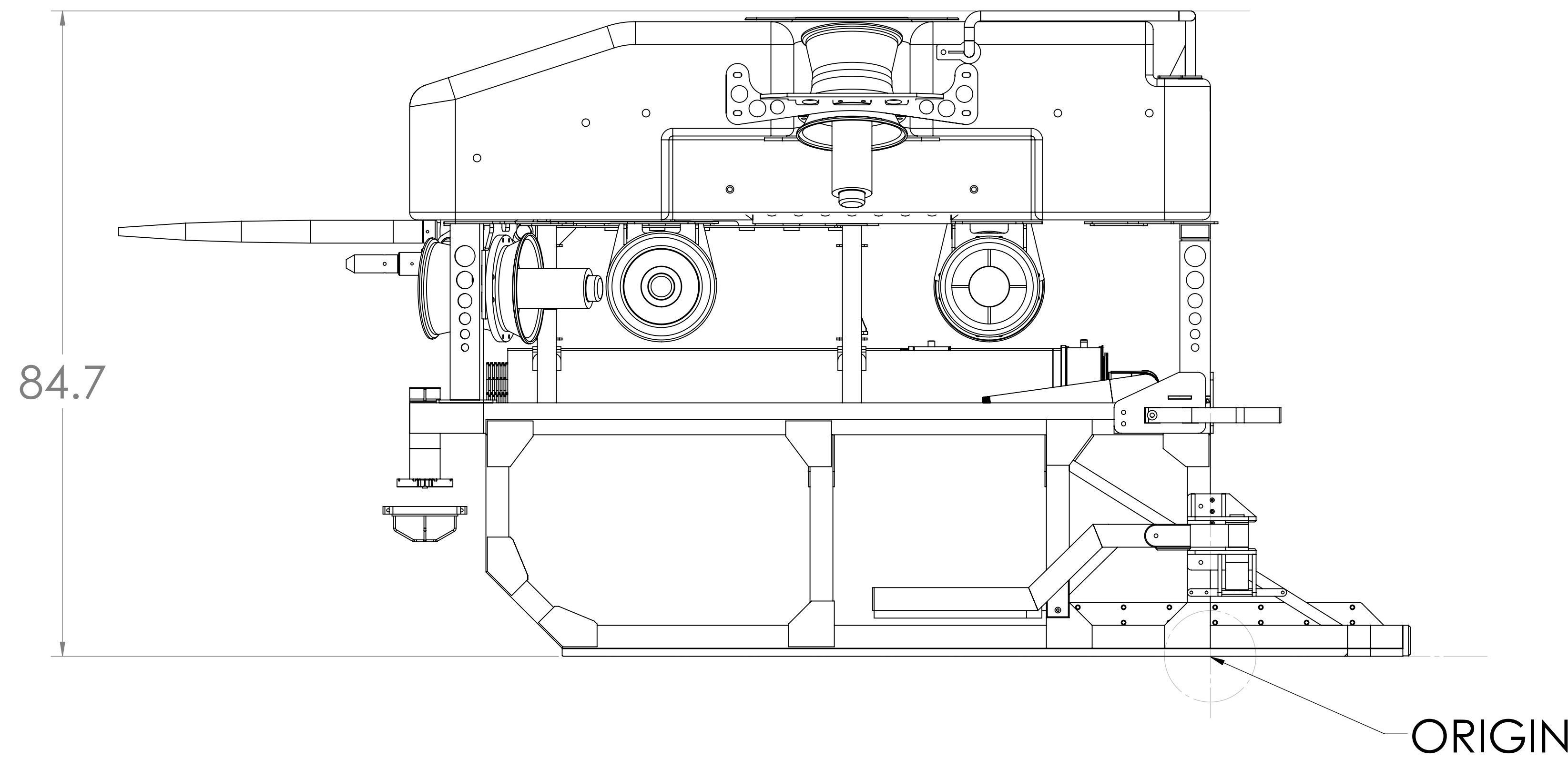


THE JASON ORIGIN IS USED FOR LOCATING SENSOR POSITIONS AND IS LOCATED AT THE BOTTOM OF THE VEHICLE, FLUSH WITH THE FRONT FACE OF THE FOAM BLOCKS, ON CENTERLINE

AS SHOWN



JASON II ROV SYSTEM  
 NATIONAL DEEP SUBMERGENCE FACILITY  
 WOODS HOLE OCEANOGRAPHIC INSTITUTION

**PROPRIETARY AND CONFIDENTIAL**  
 THE INFORMATION CONTAINED IN THIS DRAWING IS THE SOLE PROPERTY OF WOODS HOLE OCEANOGRAPHIC INSTITUTION. ANY REPRODUCTION IN PART OR AS A WHOLE WITHOUT THE WRITTEN PERMISSION OF WOODS HOLE OCEANOGRAPHIC INSTITUTION IS PROHIBITED.

UNLESS OTHERWISE SPECIFIED:		NAME	DATE	WOODS HOLE OCEANOGRAPHIC INSTITUTION
DIMENSIONS ARE IN INCHES	TOLERANCES:	DRAWN	MCH	14 JULY 08
FRACTIONAL ±	ANGULAR: MATCH ±	CHECKED		TITLE:
TWO PLACE DECIMAL ±	BEND ±	ENG APPR:		JASON II ORIGIN
THREE PLACE DECIMAL ±	MATERIAL	MFG APPR:		SIZE DWG. NO.
INTERPRET GEOMETRIC TOLERANCING PER:	Q.A.	COMMENTS:		D DEEP SUBMERGENCE LAB
INTERPRET GEOMETRIC TOLERANCING PER:				SCALE: 1:64 WEIGHT:
APPLICATION				SHEET 1 OF 1

JASON ORIGIN.L15 JULY 08