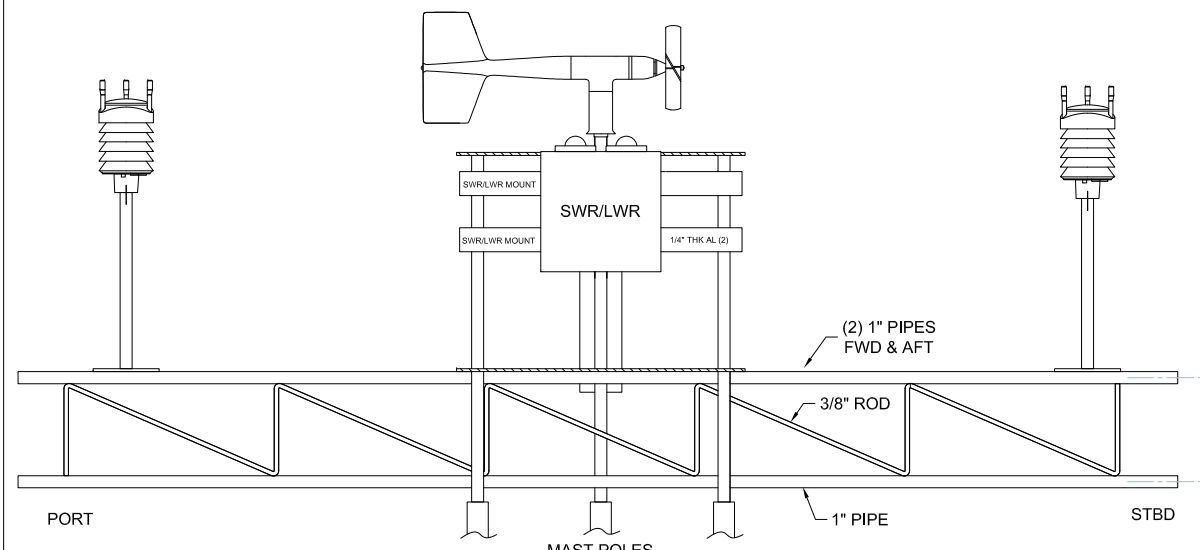
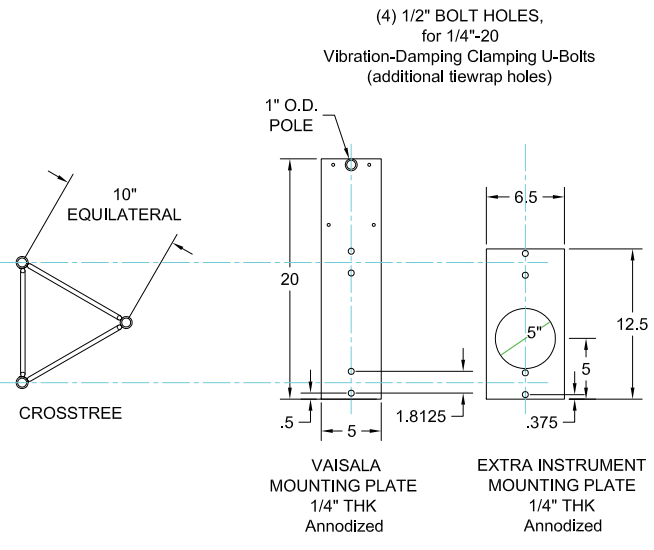
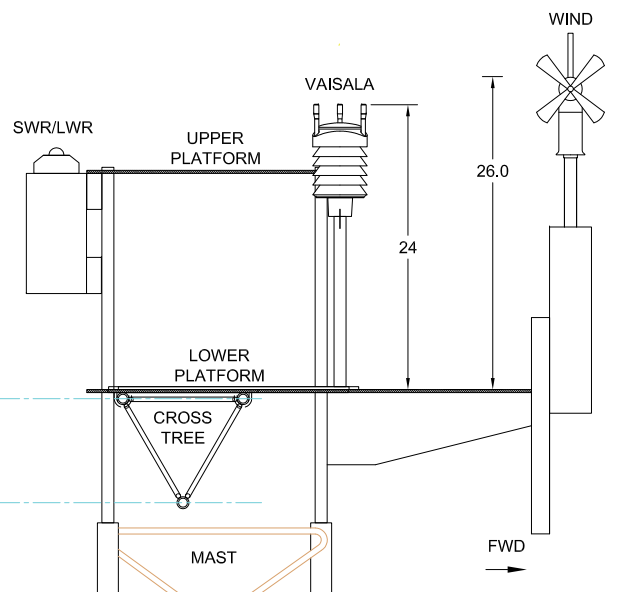


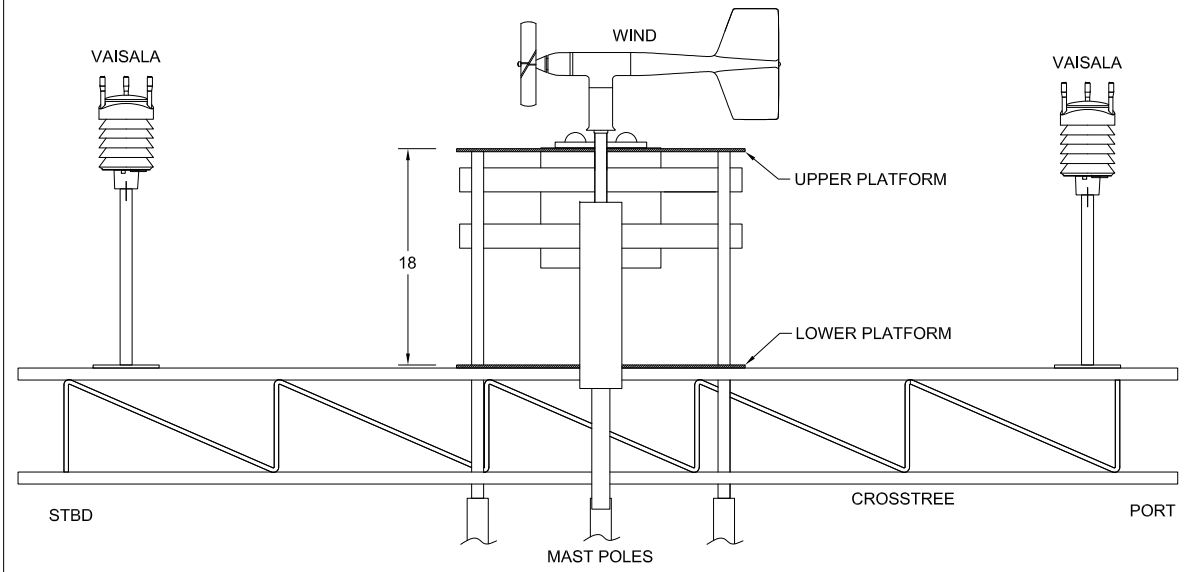
**CROSS TREE TOP VIEW**



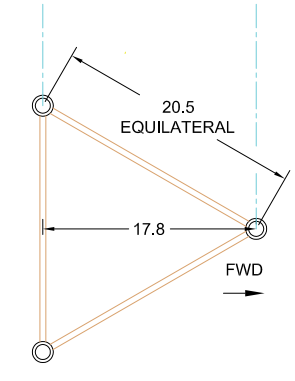
**CROSS TREE PROFILE, LOOKING FWD**



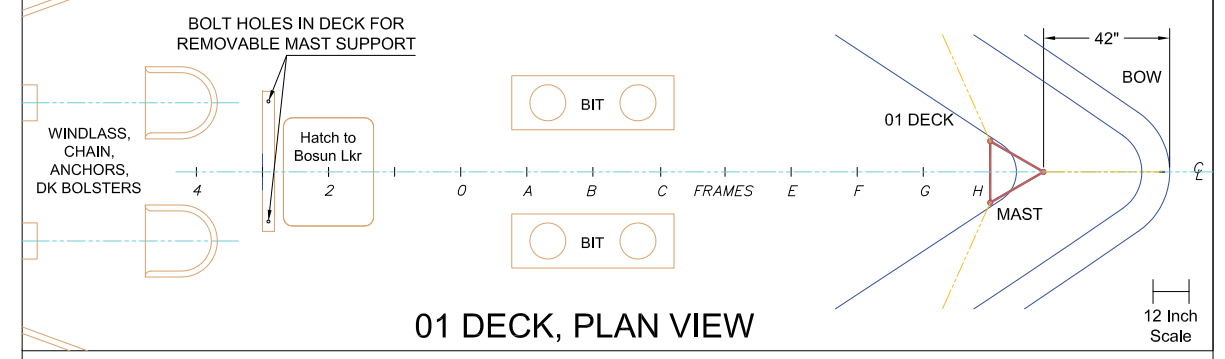
**PROFILE VIEW TO PORT**



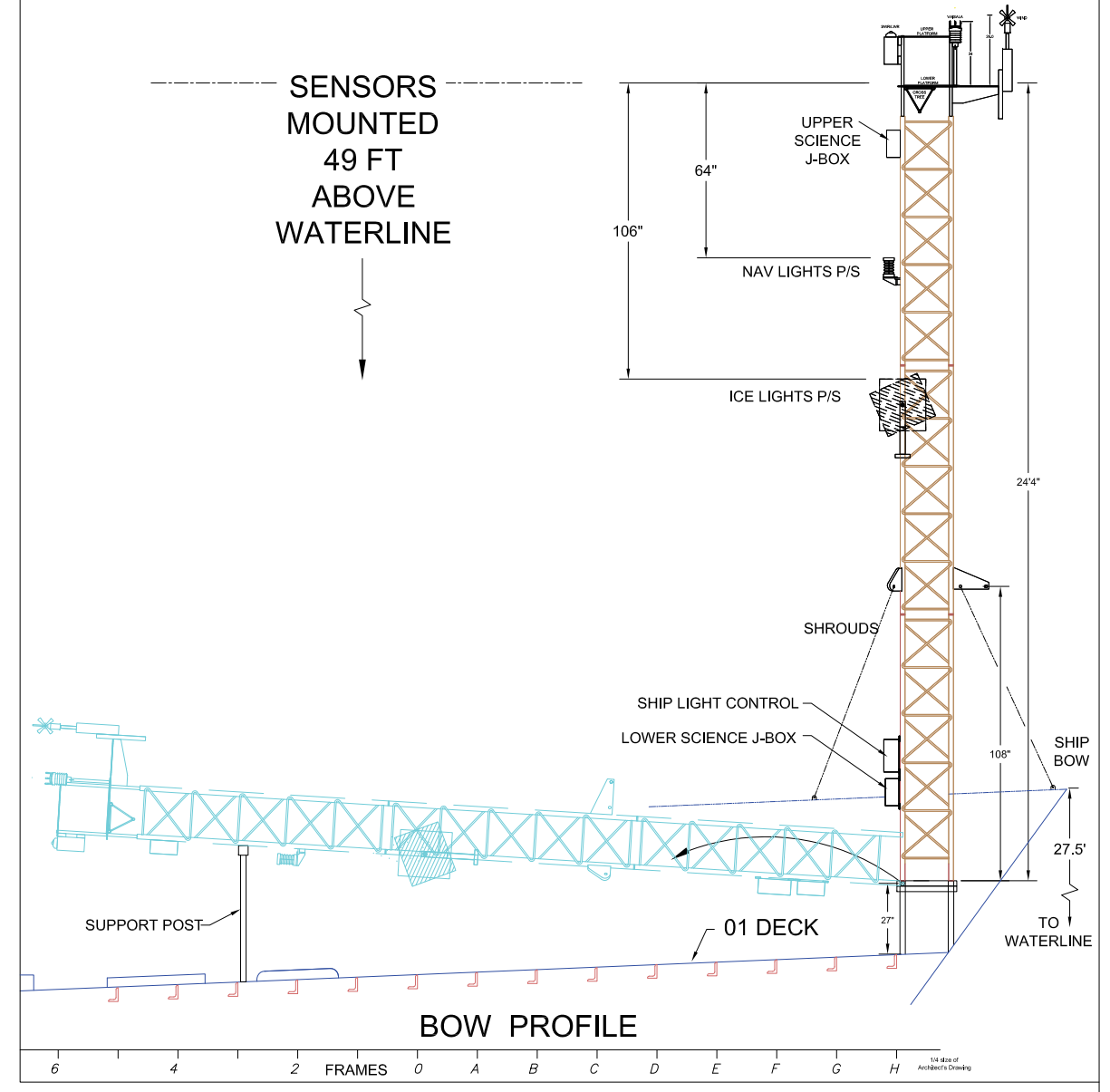
**CROSS TREE PROFILE LOOKING AFT**



**MAST TOP VIEW**



**01 DECK, PLAN VIEW**



**BOW PROFILE**

REV	REVISION	DATE

Original Date: 02/22/12	Woods Hole Oceanographic Institution Shipboard Scientific Services Group		
Draft: BGPD	<b>KNORR MET MAST</b>		
Size: B			
Scale: NA	Dwg #SKN0200	Rev. B	Sheet 1 of 1
Modified Date: 08/28/13			

12 Inch Scale